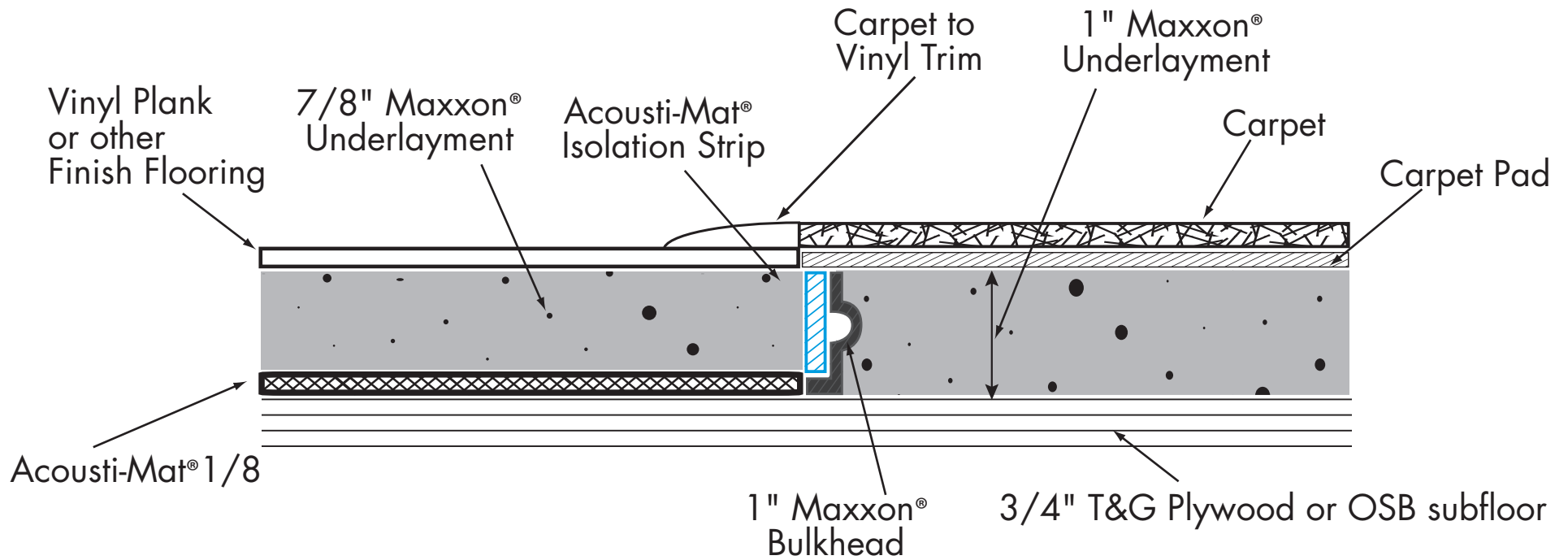


Acousti-Mat® 1/8
 Transition Detail Using Maxxon® Bulkhead



* Gypsum Wall Board must be elevated above Maxxon Underlayment

** Wall Isolation is installed around the perimeter of the entire room to receive Acousti-Mat, and around any floor penetrations such as toilet collars, electrical, plumbing, etc.